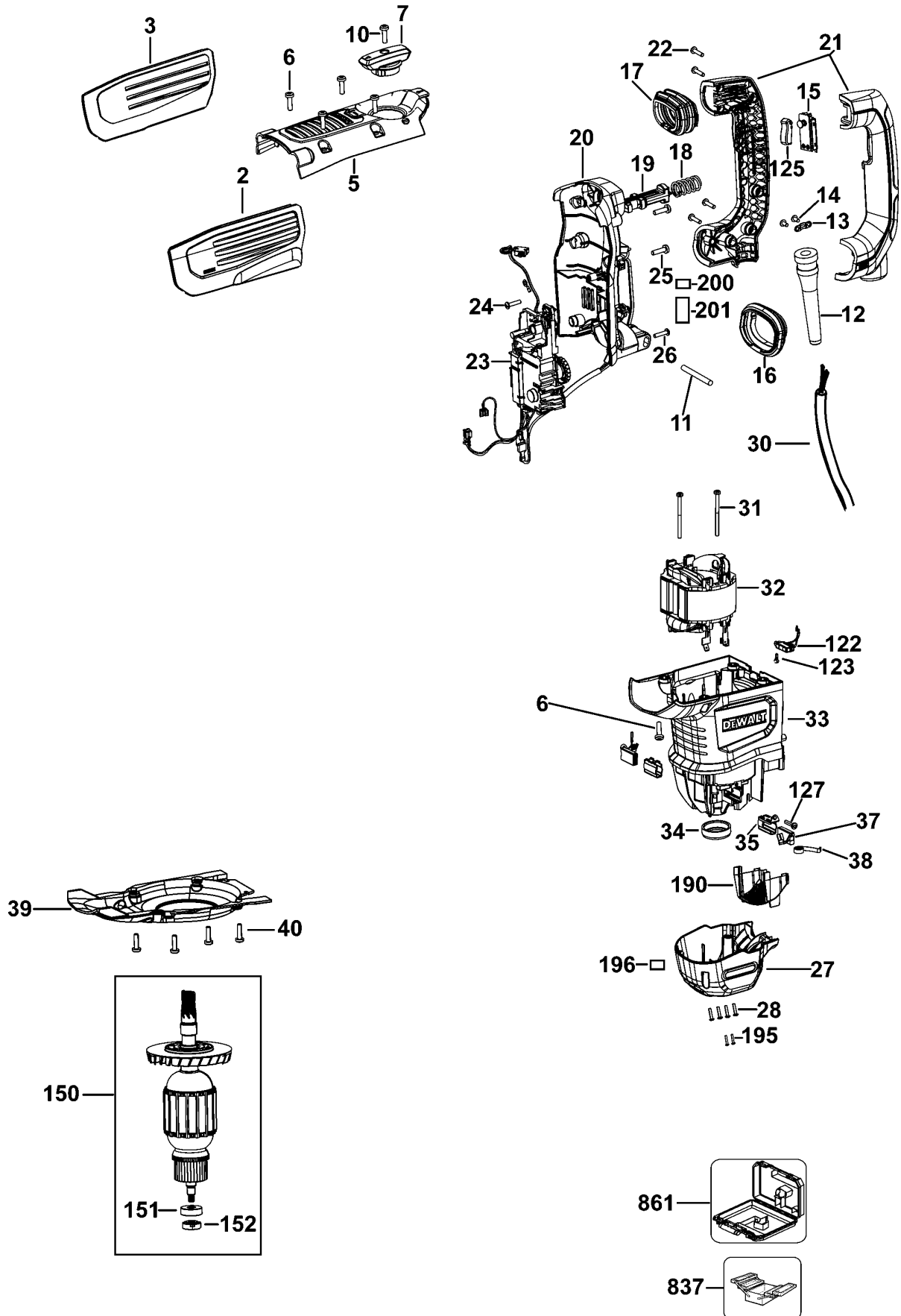
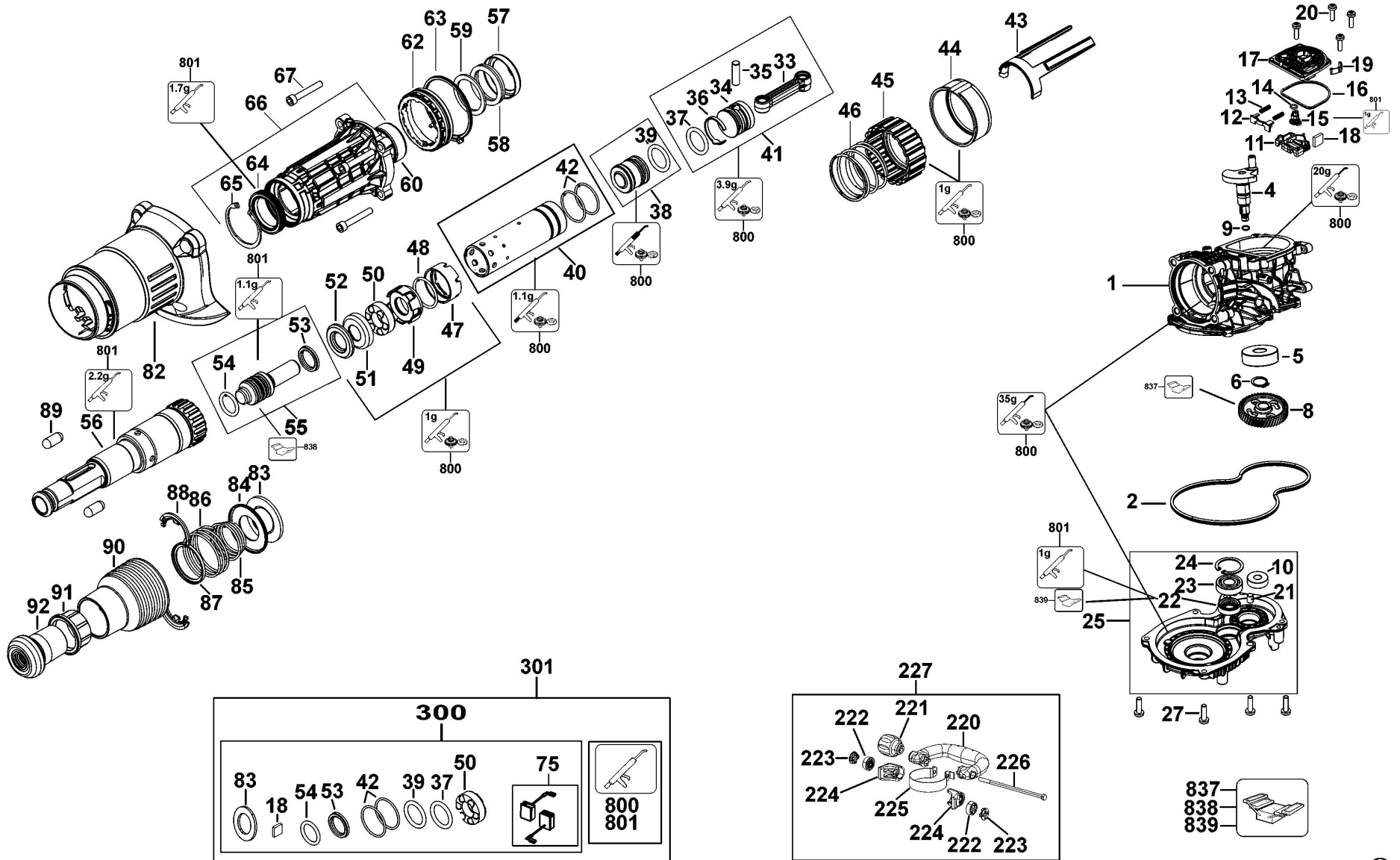


# D25872 Handle switch sa CHIPPING HAMMER 1



# D25832 Gearbox CHIPPING HAMMER 1





## Parts List D25872 CHIPPING HAMMER 1

Item	Part Number	Qty	Part Description	General Description	Other Info	Repair Inst	Markets
2	N402325	1	SIDE LH			No	QS
3	N402326	1	SIDE RH			No	QS
4	N481045	1	FELT			No	QS
5	N513723	1	COVER-TOP			No	QS
6	N548557	8	SCREW			No	QS
7	N463694	1	SELECTOR			No	QS
9	N607940	1	CAP			No	QS
10	330065-08	1	SCREW	M4x18 T20		No	QS
11	N453525	1	PIN			No	QS
12	323091-01	1	CORD PROTECTOR			No	QS
13	329301-00	1	CORD CLAMP			No	QS
14	330065-05	2	SCREW			No	QS
15	N467531	1	SWITCH			No	QS
16	N453629	1	BELLOWS			No	QS
17	N453630	1	BELLOWS			No	QS
18	N501559	1	SPRING			No	QS
19	N152623	1	STOP			No	QS
20	N528838	1	PANEL.REAR			No	QS
21	N580497	1	CLAMSHELL SET			No	QS
22	330065-08	6	SCREW	M4x18 T20		No	QS
23	N592366	1	CONTROL MODULE SA			No	QS
24	330065-08	1	SCREW	M4x18 T20		No	QS
25	N548557	1	SCREW			No	QS
26	330065-08	1	SCREW	M4x18 T20		No	QS
27	N389340	1	END CAP			No	QS
28	330065-08	4	SCREW	M4x18 T20		No	QS
30	1005752-00	1	CORDSET (EURO)			No	QS
31	330019-50	2	SCREW	M4.55x50 PLASTIC THD		No	QS
32	N585927	1	FIELD 230V			No	QS
33	N580536	1	HOUSING MOTOR			No	QS
34	N449094	1	COVER BEARING			No	QS
35	N425665	1	BRUSH HOLDER SA			No	QS

## Parts List D25872 CHIPPING HAMMER 1

Item	Part Number	Qty	Part Description	General Description	Other Info	Repair Inst	Markets
37	N581443	1	BRUSH PAIR 230V			No	QS
38	N523745	2	BRUSH SPRING			No	QS
39	N405298	1	BAFFLE			No	QS
40	N548557	4	SCREW			No	QS
41	N583768	1	HOUSING SA			No	QS
43	N537281	1	SPACER			No	QS
44	N537973	1	O RING			No	QS
46	N447147	1	SEAL			No	QS
50	N580547	1	CRANKSHAFT			No	QS
51	N580507	1	GEARCASE COVER SA			No	QS
52	N422626	1	SEAL			No	QS
53	488147-01	1	CIRCLIP			No	QS
54	330003-13	1	BEARING			No	QS
55	330003-60	1	BEARING			No	QS
56	N362699	1	CIRCLIP			No	QS
57	N548557	6	SCREW			No	QS
63	N580550	1	PISTON SA			No	QS
66	N662674	1	CON ROD			No	QS
67	N430664	1	PISTON			No	QS
68	N026609	1	PIN			No	QS
69	N439990	1	PISTON RING			No	QS
70	N612854	1	O RING			No	QS
71	N580553	1	CYLINDER			No	QS
72	N481377	2	O RING			No	QS
73	N580554	1	RAM SA			No	QS
74	N612854	1	O RING			No	QS
75	N493644	1	O RING			No	QS
76	N413144	1	BUSH			No	QS
77	N400500	1	DAMPER			No	QS
78	N389366	2	WASHER			No	QS
79	N580555	1	SPINDLE			No	QS
80	N392234	2	WASHER			No	QS

## Parts List D25872 CHIPPING HAMMER 1

Item	Part Number	Qty	Part Description	General Description	Other Info	Repair Inst	Markets
81	589223-00	1	DAMPER			No	QS
82	N580556	1	BEAT PIECE			No	QS
83	N594490	1	SEAL			No	QS
84	N432561	1	O RING			No	QS
85	N409943	1	COVER			No	QS
86	N504016	1	ECCENTRIC			No	QS
87	N515556	1	O RING			No	QS
88	N410143	1	SLIDER			No	QS
89	N520791	2	SPRING			No	QS
90	N410898	1	CONNECTOR			No	QS
91	N427022	1	PLATE			No	QS
92	330065-08	2	SCREW	M4x18 T20		No	QS
93	N455140	1	O RING			No	QS
94	N548557	1	SCREW			No	QS
96	N409698	1	SLIDER			No	QS
98	N580533	1	SLEEVE			No	QS
99	N497938	1	SPRING			No	QS
100	N580559	1	HOUSING FRONT			No	QS
103	N392582	1	SEAL			No	QS
104	N181847	1	LOCKING RING			No	QS
105	N416525	1	COVER HOUSING			No	QS
106	N431324	1	GASKET			No	QS
107	N420195	1	BUSH			No	QS
108	949886-32	4	SCREW			No	QS
109	N516486	1	GUIDE			No	QS
110	N520784	1	SPRING			No	QS
111	N520782	1	SPRING			No	QS
112	N408040	1	BUSH			No	QS
113	N511836	2	LOCKING DEVICE			No	QS
114	N511834	1	BUSH			No	QS
115	N511805	1	DAMPER			No	QS
116	N468816	1	SLEEVE			No	QS

## Parts List D25872 CHIPPING HAMMER 1

Item	Part Number	Qty	Part Description	General Description	Other Info	Repair Inst	Markets
117	NA176490	1	RUBBER			No	QS
118	N516487	1	WASHER			No	QS
119	N522784	1	RETAINER			No	QS
120	NA176495	1	SEAL			No	QS
122	N448156	1	COIL			No	QS
123	N086775	1	SCREW			No	QS
125	488065-01	1	TRIGGER			No	QS
138	N520790	1	DETENT			No	QS
140	N408073	1	BEARING,NEEDLE			No	QS
141	N408081	1	BUSH			No	QS
150	N585925	1	ARMATURE 230V			No	QS
165	N578605	1	FELT			No	QS
195	90611830	2	SCREW		TRACKER	No	QS
196	N507221	1	LABEL			No	QS
200	N551374	1	LABEL			No	QS
201	N551308	1	RATING PLATE			No	QS
220	N536691	1	SIDE HANDLE			No	QS
221	487291-00	1	KNOB SA			No	QS
222	479317-00	2	WASHER LOCK			No	QS
223	479319-00	2	CLAMPING INSERT			No	QS
224	479320-00	2	WASHER CLAMP			No	QS
225	N470725	1	CLAMP			No	QS
226	487343-00	1	BOLT			No	QS
227	N470872	1	LOOP HANDLE			No	QS
300	N593928	1	SERVICE KIT 230V			No	QS
800	578970-06	1	GREASE 150 GMS			No	QS
801	870889-02	1	GREASE			No	QS
837	1003972-99	1	S.T.SEAL FITTING TOOL			No	QS
837	1003973-99	1	S.T.SEAL FITTING TOOL			No	QS
837	1003975-99	1	S.T.INSERTION TOOL			No	QS
837	1003974-99	1	S.T.SUPPORT JIG			No	QS
838	1003976-99	1	S.T.CIRCLIP REMOVER			No	QS

## Parts List D25872 CHIPPING HAMMER 1

Item	Part Number	Qty	Part Description	General Description	Other Info	Repair Inst	Markets
838	559651-99	1	S.T.CIRCLIP REMOVER			No	QS
839	1003979-99	1	S.T.BEARING INSERTOR			No	QS
840	1003978-99	1	S.T.INSERTION TOOL			No	QS
861	N508182	1	KITBOX			No	QS



## Parts List D25832 CHIPPING HAMMER 1

Item	Part Number	Qty	Part Description	General Description	Other Info	Repair Inst	Markets
103	N870797	1	SWITCH			No	QS
103	N870797	1	SWITCH			No	QS
105	323091-01	1	CORD PROTECTOR			No	QS
106	329301-00	1	CORD CLAMP			No	QS
107	330065-08	2	SCREW	M4x18 T20		No	QS
108	N015311	1	CONNECTOR			No	QS
109	326619-00	1	SCREW			No	QS
110	N106188	1	SPRING COMPRESSION			No	QS
111	N632222	1	HANDLE SA			No	QS
113	330065-08	7	SCREW	M4x18 T20		No	QS
115	N550188	1	COVER-TOP			No	QS
116	324007-11	2	SCREW	M5 X 18		No	QS
117	N550235	1	SELECTOR			No	QS
118	330065-08	1	SCREW	M4x18 T20		No	QS
120	N655550	1	END CAP			No	QS
121	1005752-00	1	CORDSET (EURO)			No	QS
125	488065-01	1	TRIGGER			No	QS
126	N738161	1	FOAM			No	QS
128	N449094	1	COVER BEARING			No	QS
140	N633441	1	LENS			No	QS
195	90611830	2	SCREW			No	QS
197	N208653	1	LABEL			No	QS
201	NA049715	1	RATING LABEL			No	QS
220	N536691	1	SIDE HANDLE			No	QS
221	487291-00	1	KNOB SA			No	QS
222	479317-00	2	WASHER LOCK			No	QS
223	479319-00	2	CLAMPING INSERT			No	QS
224	N651377	2	WASHER CLAMP			No	QS
225	N704543	1	CLAMP			No	QS
226	487343-00	1	BOLT			No	QS
227	N638220	1	HANDLE SIDE SA			No	QS
300	N773655	1	SERVICE KIT 230V			No	QS

## Parts List D25832 CHIPPING HAMMER 1

Item	Part Number	Qty	Part Description	General Description	Other Info	Repair Inst	Markets
800	578970-06	1	GREASE 150 GMS			No	QS
801	870889-02	1	GREASE			No	QS
837	1003981-99	1	S.T.PULLER			No	QS
838	1003972-99	1	S.T.SEAL FITTING TOOL			No	QS
838	1003982-99	1	S.T.SEAL FITTING TOOL			No	QS
839	1003984-99	1	S.T.SEAL FITTING TOOL			No	QS
861	N657876	1	KITBOX			No	QS